

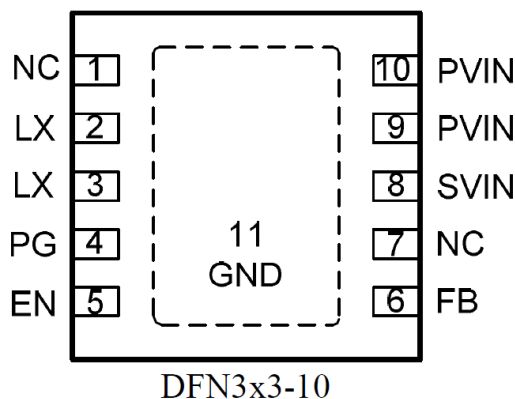
1.25MHz, 4A, High Efficiency PWM Step-Down DC/DC Converter

General Description:

AN6034 is a high efficiency step-down DC/DC converter operated with the current mode and the constant frequency. The internal switch and synchronous rectifier are integrated for high efficiency. AN6034 can supply 4A of load current from 2.7V to 5.5V supply voltage.

The switching frequency is set at 1.25MHz, allowing the use of small surface mount inductors and capacitors. It can run 100% duty cycle for low dropout application. AN6034 is available in a DFN3X3-10 package.

Pin Configuration:



Ordering Information:

Part Number	Package	Shipment
AN6034-ADD	DFN3X3-10	Tape&Reel / 3000

- A : Output Voltage Adjustable
- DD : DFN3*3-10L

Features:

- 2.7V to 5.5V Input Voltage Range
- High Efficiency: Up to 95%
- 1.25MHz Constant Switching Frequency
- 4A Available Load Current
- 100% Duty Cycle in Dropout
- Current Mode Control
- Short Circuit Protection
- Thermal Fault Protection
- Compact package: DFN3X3-10

Application:

- Set Top Box
- LCD TV
- Access-Point Router
- Mini-notebook PC
- Tablet PC